

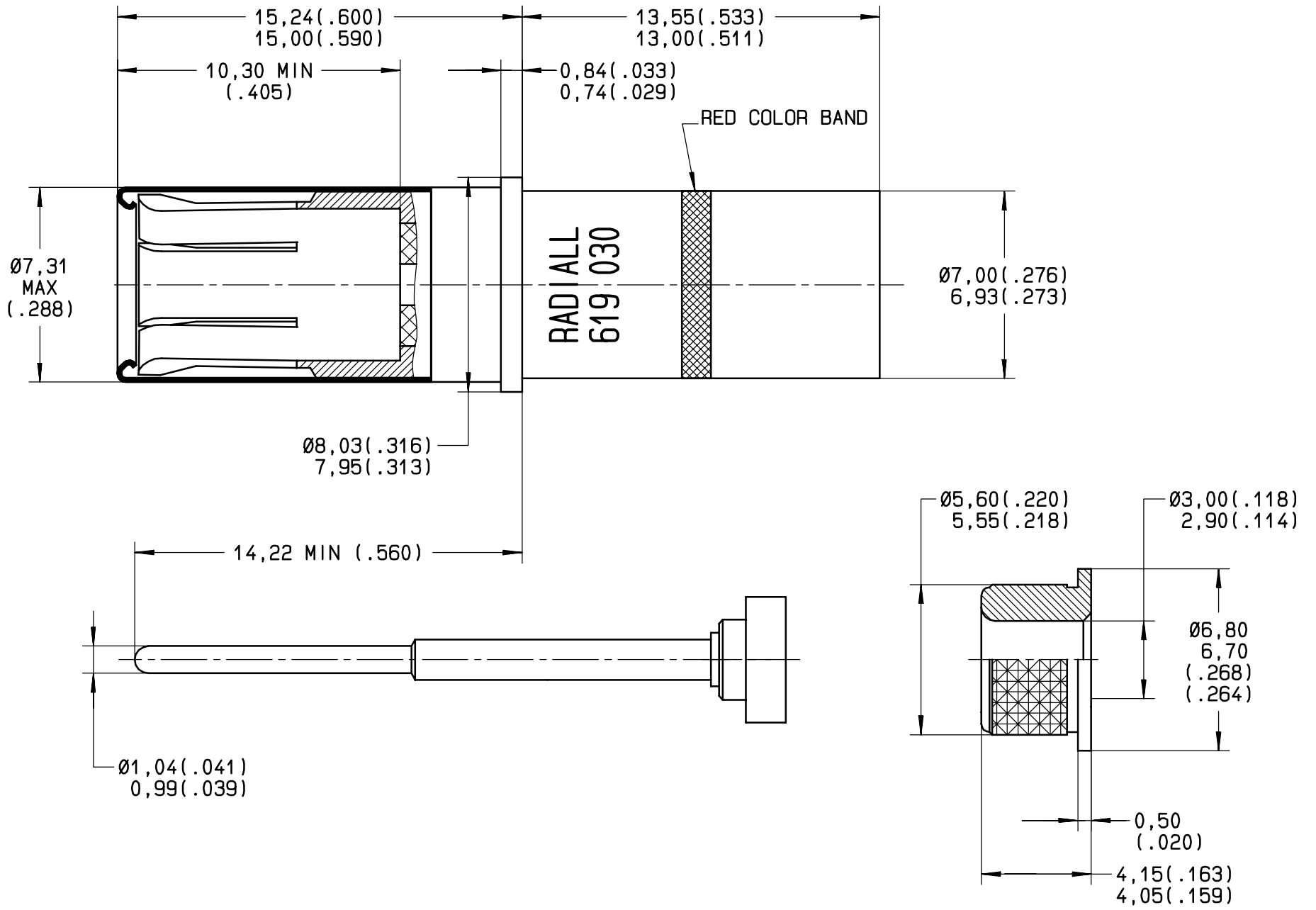


Series
BPX

SIZE 8 COAXIAL SOCKET CONTACT
CABLE P/N: S280W503-1
BOEING P/N: S280W554-211

Issue:
25 JULY 01

Page
1 / 1



***MATERIAL:**

- OUTER CONTACT: BERYLIUM COPPER PER ASTM-B-196
- CENTER CONTACT AND FERRULE: BRASS PER QQ-B-626
- PROTECTIVE SLEEVE: STAINLESS STEEL PER AISI 305

***FINISH:**

- FERRULE, CENTER AND OUTER CONTACTS: PLATING .00005 INCH OF GOLD PER MIL-G-45204 TYPE I OR II GRADE C OR D CLASS 1 OVER NICKEL PER QQ-N-290
- PROTECTIVE SLEEVE: PASSIVATED

***SEE WIRING INSTRUCTIONS: RP8012**

This information is given as an indication. In the continual goal to improve our products, we reserve the right to make any modifications judged necessary.

CREATION
PEN:
NOM: MACARI
DATE: 17 OCT. 91
APPR.: .	25 JULY 01	UPDATED	MACARI	.
	Issue	Revisions	Name	Approved